



azar **nasim**  
AIR CONDITIONING COMPANY

---

## ECONO PACK



## Introduction

---

Azar Nasim economical package in short econo-pack as a special HVAC product supplies hot and cool air. Azar Nasim design features as an outdoor unit meet DIN EN 1319 Standard. Azar Nasim econo-pack is dual purposes, for cooling uses Azar Nasim Multi/single Step Evaporative Cooling technique (considering air capacity) and for heating purpose, Combustion Circuits equipped with Hot Gas Heat Exchangers in all air capacities. There is no need to central boilers or hot water for heating; as a result it is a reasonable solution for places where are faced to area limitation.

Azar Nasim econo-pack are being designed and manufactured in two models; Side Outlet and Top Outlet and available in different air flow and thermal capacities ranged respectively from 4500 up to 40000 CFM and 100000 up to 2500000 Kcal/h. Azar Nasim econo-pack which is equipped with Fan Assisted Burner may be supplied by NG, Gas Oil and Dual Fuel Type Burners. Supplying conditioned air with high efficiency and low energy consumption in comparing with compression cooling systems is one of its superior advantages. Azar Nasim econo-pack may be installed on any suitable surface like as a roof or a metal stand outside the building. Cooling and Heating are provided through only one distribution ducts in such a way that all HVAC standards' needs like as fresh air, RH and temperature, are met completely uniform. Air Conditioning of Poultry Farms and Greenhouses may be customized by special design of Azar Nasim econo-pack. The damper is used to change operational mode from summer to winter or vice versa. On request, different filter type and class, pressure switch and alarm system are also available for operational control of filtration Network.

Heating of econo-pack is similar to Warm Air Furnace; please overview catalogue of Warm Air Furnace.

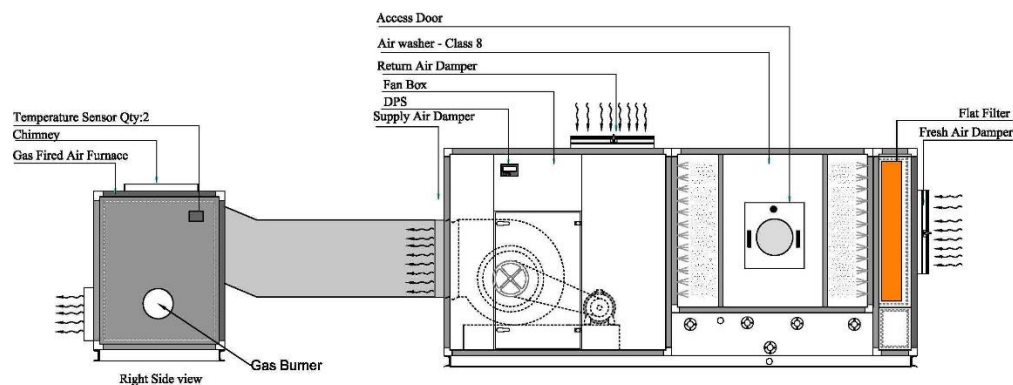
For more information about Evaporative Cooling section of econo-pack, please overview AIR WASHER and ZENT catalogues.

## Features

- Providing hot and cool air, Humidity, Ventilation at Standard Levels
- Reduced sound pollutions from inside the building
- Regular and homogeneously dispensed Network (Fall type Dispensing)
- Easy & quickly operation, Installation, Service, Maintenance
- Independent of central cooling and heating mechanical room.
- Indoor air quality control

## Features of Combustion Circuit

- Double-wall body with rockwool insulation.
- Raw material consists of heat resistant & high grade steel alloys Hot gas heat exchangers are made of Stainless Steel
- Performance and safety control by temperature and pressure sensors.



Sample Scheme -Right side view

# CONTACT US!

---

- Central Office : 021-48402
- Customer Voice : (ext6)
- Central Office Fax : (ext116)
- Factory Phone : 086-45250025
- Factory Fax : 086-45250022
- Email : [info@azarnasim.com](mailto:info@azarnasim.com)
- Address : No,304,The 3th Floor,  
Toupaz Complex, Next to Yaran Park, After Abazar Cross  
roads, Ayatollah Kashani Blvd,The Second Sq.Of Sadeghieh  
Tehran, IRAN.